

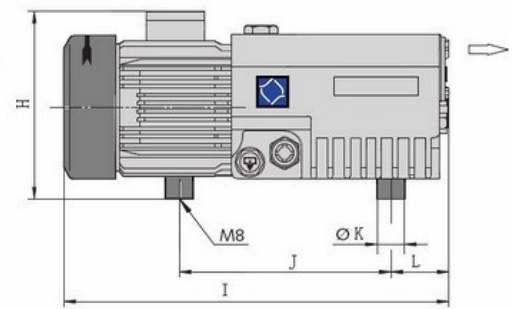
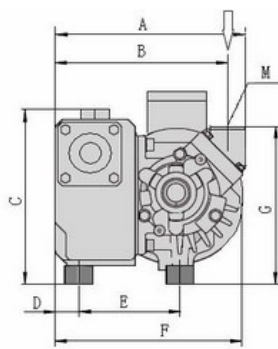


Single-stage Rotary Vane Vacuum Pump



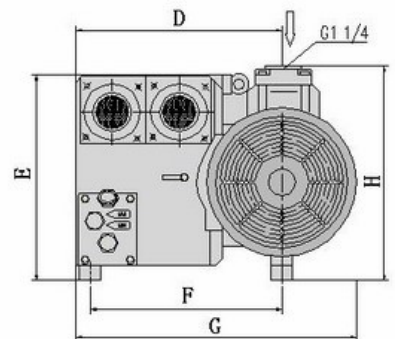
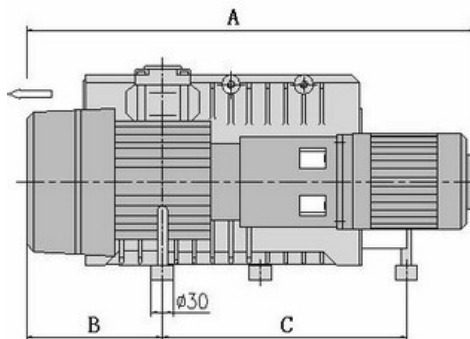
บริษัท เอ็ม.วาย.เทคโนโลยี จำกัด

M.Y. TECHNOLOGY CO.,LTD.



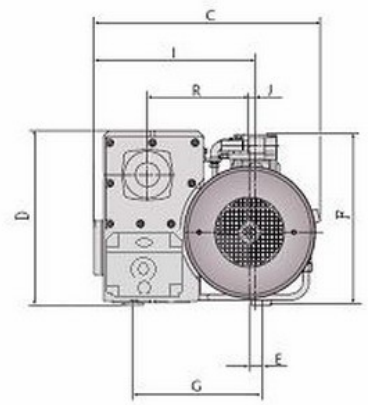
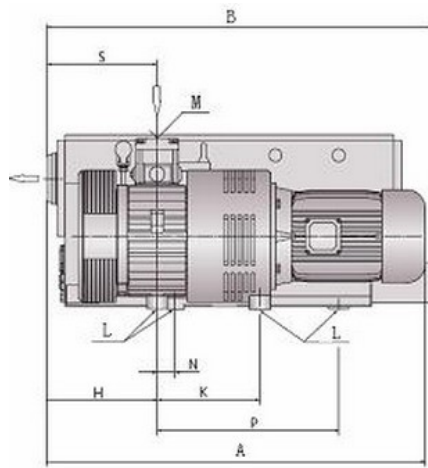
| Item | Unit | X-10 | X-21 | X-25 |
|-------------------------|-------------------|----------------------------------|----------------------------------|----------------------------------|
| Rated speed | m ³ /h | 10 | 20 | 25 |
| Utmost pressure | mbar | 0.1-0.5 | 0.1-0.5 | 0.1-0.5 |
| Noise | dB(A) | 61 | 62 | 62 |
| Working temperature | °C | 81 | 82 | 82 |
| Oil consumption | L | 1 | 1 | 1 |
| Vapour allowed pressure | mbar | 40 | 40 | 40 |
| Vapour suction rate | kg/h | 0.15 | 0.3 | 0.4 |
| Inlet size | inch | Rp ³ / ₄ " | Rp ³ / ₄ " | Rp ³ / ₄ " |
| Motor rated power | kW | 0.37 | 0.75 | 1.1 |
| Motor rated speed | rpm | 1440 | 2880 | 2880 |
| Total weight | kg | 17 | 18 | 19 |
| Overall size | cm | 46.5×23.2×20 | 47.3×23.2×20 | 48×23.2×20 |

| Dimension | A | B | C | D | E | F | G | H | I | J | K | L | M |
|-----------|-----|-----|-----|----|-----|-----|-----|-----|-----|-----|----|-----|-------------------------------|
| X-10 | 232 | 213 | 195 | 26 | 130 | 225 | 178 | 200 | 465 | 210 | 30 | 117 | G ³ / ₄ |
| X-21 | 232 | 213 | 195 | 26 | 130 | 225 | 178 | 200 | 473 | 210 | 30 | 117 | G ³ / ₄ |
| X-25 | 232 | 213 | 195 | 26 | 130 | 225 | 178 | 200 | 480 | 210 | 30 | 117 | G ³ / ₄ |



| Item | Unit | X-40 | X-63 | X-100 |
|-------------------------|-------------------|-----------------------------------|-----------------------------------|-----------------------------------|
| Rated speed | m ³ /h | 40 | 63 | 100 |
| Utmost pressure | mbar | 0.1-0.5 | 0.1-0.5 | 0.1-0.5 |
| Noise | dB(A) | 64 | 65 | 66 |
| Working temperature | °C | 83 | 85 | 85 |
| Oil consumption | L | 1 | 2 | 2 |
| Vapour allowed pressure | mbar | 40 | 40 | 40 |
| Vapour suction rate | kg/h | 0.6 | 1 | 1.6 |
| Inlet size | inch | Rp1 ¹ / ₄ " | Rp1 ¹ / ₄ " | Rp1 ¹ / ₄ " |
| Motor rated power | kW | 1.1 | 1.5 | 3 |
| Motor rated speed | rpm | 1440 | 1440 | 1440 |
| Total weight | kg | 48 | 58 | 72 |
| Overall size | cm | 65×30×28 | 65×43×29.5 | 72×43×29.5 |

| Dimension | A | B | C | D | E | F | G | H |
|-----------|-----|-----|-----|-----|-----|-----|-----|-----|
| X-40 | 650 | 150 | 330 | 195 | 270 | 220 | 300 | 280 |
| X-63 | 650 | 150 | 325 | 295 | 285 | 270 | 430 | 295 |
| X-100 | 720 | 180 | 350 | 295 | 285 | 270 | 430 | 295 |



| Item | Unit | X-160 | X-202 | X-250 | X-302 |
|-------------------------|-------------------|----------|----------|----------|-----------|
| Rated speed | m ³ /h | 160 | 200 | 250 | 300 |
| Utmost pressure | mbar | 0.1 | 0.1 | 0.1 | 0.1 |
| Noise | dB(A) | 71 | 73 | 73 | 75 |
| Working temperature | °C | 65 | 72 | 81 | 83 |
| Oil consumption | L | 5 | 5 | 7 | 7 |
| Vapour allowed pressure | mbar | 40 | 40 | 40 | 40 |
| Vapour suction rate | kg/h | 2.5 | 4 | 4.5 | 5 |
| Inlet size | inch | Rp2" | Rp2" | Rp2" | Rp2" |
| Motor rated power | kW | 4 | 4.4 | 5.5 | 7.5 |
| Motor rated speed | rpm | 1440 | 1440 | 1440 | 1440 |
| Total weight | kg | 157 | 157 | 195 | 211 |
| Overall size | cm | 86×50×44 | 86×50×44 | 98×56×44 | 101×56×44 |

| Dimension | A | B | C | D | E | F | G | H | I | J | K | L | M | N | P |
|-----------|-----|------|-----|-----|------|-----|-----|-----|-----|------|-----|-------|------|----|-----|
| X-160 | 835 | 855 | 495 | 435 | 25 | 425 | 310 | 225 | 345 | 15 | 240 | 4×M10 | Rp2" | 35 | 420 |
| X-202 | 835 | 855 | 495 | 435 | 25 | 425 | 310 | 225 | 345 | 15 | 240 | 4×M10 | Rp2" | 35 | 420 |
| X-250 | 856 | 980 | 560 | 440 | 30 | 430 | 355 | 260 | 385 | 20 | 300 | 4×M10 | Rp2" | 40 | 390 |
| X-302 | 856 | 1010 | 560 | 440 | 37.5 | 430 | 355 | 260 | 385 | 27.5 | 300 | 4×M10 | Rp2" | 40 | 390 |

III. Good characteristic:

1. High utmost vacuum rate, it can be less than 0.5mbar
2. High deflating speed
3. Low noise while working, lower than 67db
4. Reliable structure to prevent oil circumfluence
5. Strong capacity in deflating the vapor
6. Keeping inlet air pressure 1.33*103Pa, it can be still working on.
7. Protecting environment; an oil fog clearer is set in the vacuum, and no oil fog in the exhaust air
8. Tight structure, scientific and reasonable design, and it is easy to install in the industry system

IV. Application Range:

*Packaging, Sticking

- Packaging used by vacuum or inert gases for varied foods, metal items and electronic elements.
- Sticking for photographs and advertisement sheets.

*Lifting, Transportation, Sticking, Loading/Unloading

- Lifting of glass plate
- Sticking of board, plastic plank
- Loading/Unloading of non-magnetism item
- Loading/Unloading and transportation of paper sheets and paper boards in paper making and printing industry
- Transportation of powder materials

*Drying, Air-eliminating, Dipping

- Dipping and drying of electronic elements
- Air-eliminating of moulds, dopes and vacuum furnace

*Others:

- Laboratory Devices
- Medical Treatment Devices
- Freon Recycling
- Vacuum Heat Treatment





JX Series Vacuum Pump



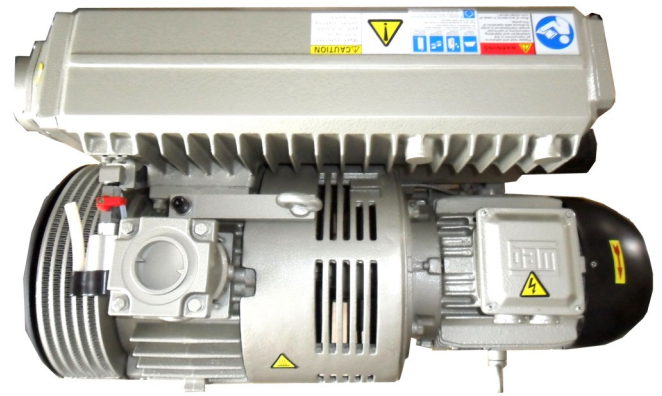
JXX Series Vacuum Pump



JXXX Series Vacuum Pump



Spare Part for Vacuum Pump



Overhaul Vacuum Pump



We apply the German advanced technology in single-step rotary vacuum pump and CAD/CAE/CAM manufacture technology and ensure the quality and performance of the products. And now, we win favorable feedback from various overseas customers, such as Spain, Netherlands, Sweden, United Kingdom, Italy, USA, Canada, Australia, Poland, India, Iran, etc, due to reliable quality and perfect service.

Inside the round pump body with both sucking valve and exhausting valve, there installed a centrifugal rotor and a rotor trough with three vanes driven by centrifugal power. The vanes separate the pump inner space into three parts and the respective volume changes periodically while the rotor turns. The sucking, compressing and exhausting stages eliminate the air at the inlet and achieve the state of vacuum.



บริษัท เอ็ม.วาย. เทคโนโลยี จำกัด

88/102 หมู่ 5 อ.ลำลูกกา ต.ลำลูกกา อ.ลำลูกกา จ.ปทุมธานี 12150

โทร. 02-987 1890 แฟกซ์. 02-987 1891

<http://www.vacuum-mytech.com>

E-mail : sales@vacuum-mytech.com